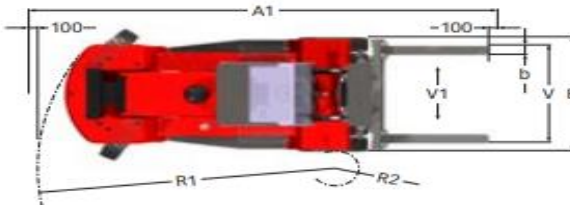
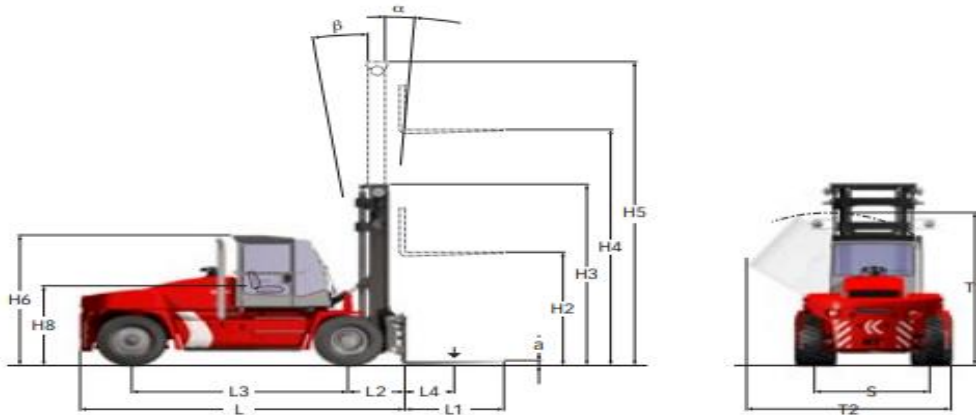




15 TONNE KALMAR FORK LIFT DETAILS

Description	Dimension/s & Weight/s
Height of Forklift	3815mm
Net Weight	22240kg
Length from Ballast to Fork Blade Tip	7775mm (L + L1)
Length from Ballast to Hook when Fitted with Jib	8200mm
Length from Ballast to Fork/Jib Carriage Plate	5210mm
Length from Centre of Front Axle to Fork Carriage Face	860mm
Length from Centre of Front Axle to rear of Forklift	4350mm
Diagonal Length from Fork Carriage to Rear Ballast	5800mm
Length from Centre of Rear Axle to Centre of Front Axle	3510mm (L3)
From Centre of Rear Axle to Ballast:	
Outer Turning Radius	4800mm (R1)
Inner Turning Radius	435mm (R2)





KALMAR JIB ATTACHMENT

Description	Dimension/s & Weight/s
Max Height of Hook from Ground	5460mm (5.9M Tilted back)
Min Height of Hook from Ground	1160mm
Max Height of Jib	6800mm
Max Radius	2600mm
Max Lift at Max Radius	10,000kg
Max Width of Forks (front tyres)	2560mm
Length from Ballast to Hook	8200mm
Weight of Jib	2000kg
Weight of Jib & Transport Frame	3000kg





JIB Attachment & storage /transport frame





FORK LIFT BLADES

Description	Dimension/s & Weight/s
Max Lift Height	3900mm
Length of Blades (from inside heel to tip)	2440mm
Width of Blades	247mm
Depth of Blades	95mm

